

LAWN MOWERS

Table of Contents

Blade Application Guide	1-2
Bulk Starter Rope	1-2
Grass Bag Kits & Parts	1-3
HRC216K2, HRC216K3 Grass Bag Kit	1-3
Build Your Own Kit	1-3
Mulching Kits & Replacement Parts	1-4
Miscellaneous Kits & Parts	1-5
HRC216K2, HRC216K3 Single Blade Spacer Kit	1-5
Side Discharge Chute	1-5
Silver Lawn Mower Cover	1-5
Deck Guard Kits	1-5
Handle Support	1-6
Leaf Shredder	1-6
Adjustable Smart Drive® Kit	1-6
Spark Arrester Kits	1-6

LAWN MOWERS

Blade Application Guide

Model	Good Mulching ⁽⁴⁾ / Good Bagging	Best Mulching ⁽⁴⁾ / Good Bagging	Best Bagging/ Good Mulching ⁽¹⁾	Best Bagging ⁽²⁾
HRB215	No change required.	Replace original blade with two new blades: Upper: 72531-VE2-020 Lower: 72511-VG4-K00 (low lift)	Add upper blade: Upper: 72531-VE2-020	No change required.
HRB216 HRB217	No change required.	Replace original lower blade with new blade: Lower: 72511-VG4-K00 (low lift)	No change required.	Remove original top blade.
HRC216K2/K3	No change required.	No change required.	No change required.	Remove top blade and replace with spacer: 72532-VA3-S00
HRM215	No change required.	No change required.	Replace original lower blade with new blade: Lower: 72511-VE1-020 (high lift)	Replace original blades with new single blade: 72511-VE1-020 (high lift)
HRS216 ⁽³⁾	No change required.	Replace original blade with two new blades: Upper: 72531-VE2-020 Lower: 72511-VG4-K00 (low lift)	Replace original blade with two new blades: Upper: 72531-VE2-020 Lower: 72511-VE1-020 (high lift)	Replace original blade with new single blade: 72511-VE1-020 (high lift)
HRX217	No change required.	No change required.	No change required.	No change required.

(1) Should also be used in mulching conditions where uncut grass is observed.

(2) Not recommended for mulching.

(3) The standard HRS216 blade (72511-VG3-000) should never be installed on another model due to ANSI requirements.

(4) A mulching plug must be installed when mulching for all models except the HRS216 and HRX217.

Notes: Blade recommendations and mowing performance are general guidelines valid for most grass types and conditions. Always refer to the owner's manual for mowing recommendations.

Starter Rope



#3.5 x 200'	0.109 in (diameter)	08535-ZG921-11
#4 x 200'	0.122 in (diameter)	08540-ZG921-11
#4.5 x 200'	0.140 in (diameter)	08545-ZG921-11
#5 x 200'	0.156 in (diameter)	08550-ZG921-11
#5.5 x 200'	0.170 in (diameter)	08555-ZG921-11
#6 x 200'	0.187 in (diameter)	08560-ZG921-11
#7 x 200'	0.210 in (diameter)	08570-ZG921-11

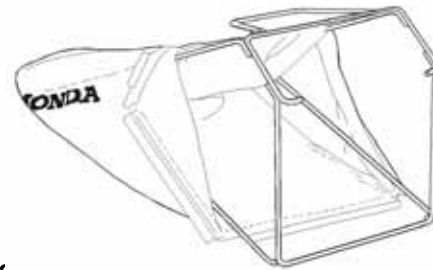
LAWN MOWERS

Grass Bag Kits & Parts

06813-VK6-000

HRC216K2, HRC216K3 Grass Bag Kit

When you want the cleanest possible finish, you just can't beat a grass bag. Clippings are blown into the ventilated bag for easy handling and disposal. Build your own kit with the following parts.



HR214, HR215, HR216

Part Name	Part Number	Part Name	Part Number
Frame comp, grass bag	81320-VA3-S01	Frame comp, bag bottom	81340-VA3-J00
Joint, grass bag	81341-VA3-J00	Upper, grass catcher	81371-VA3-J00
Cover, grass catcher grip	81377-VA3-J00	Nut, push 8 mm (2 req)	90301-VA3-J01

HRA214, HRA215, HRA216, HRC215K0~K1, HRC216K0~K1

Frame comp, grass bag	81320-VB5-J00	Frame comp, bag bottom	81340-VA4-J00
Joint, grass bag	81341-VA3-J00	Upper, grass catcher	81371-VA4-J00
Cover, grass catcher grip	81377-VA3-J00	Nut, push 8 mm (2 req)	90301-VA3-J01

HRB215K4, HRM215K4, HRB216, HRB217

Frame comp, bag	81330-VE1-T00	Fabric comp, grass bag	81320-VE1-T00
-----------------	---------------	------------------------	---------------

HRR216K0~K2, HRT216K0~K2, HRZ216

Frame comp, bag	81330-VG4-010	Fabric comp, grass bag	81320-VG4-010
-----------------	---------------	------------------------	---------------

HRR216K3~K7

Frame	81330-VG4-010	Fabric grass bag	81320-VL0-B10
-------	---------------	------------------	---------------

HRR216K8

Frame	81330-VL0-P00	Fabric grass bag	81320-VL0-P00
-------	---------------	------------------	---------------

HRX217K0~K1

Fabric, grass bag	81320-VH7-000	Frame, bag	81330-VH7-000
-------------------	---------------	------------	---------------

HRX217K2~K3

Frame (collapsible)	81330-VH7-D01	Fabric comp, grass bag	81320-VH7-D00
---------------------	---------------	------------------------	---------------

LAWN MOWERS

Mulching Kits & Replacement Parts

These mulching kits convert a rear-bagging unit to a mulching mower. An engineered low-lift blade cuts the grass and then cuts it again and again to produce fine mulch. Heavy-duty plugs, block-off plates, blades and all hardware (as required) are included. For listed models/types only.



Model	Comments	Kit Part Number	Kit Contents	Replacement Part Nos.
HR194PXA	Replace original blade with mulching blade; install mulching plug.	06764-VA5-850	Mulching blade Mulching plug	72511-VB4-700 Not available
HR21K2 HR21-5 HR214, HR215 HR215K1 HR216 HRA214 HRA215 HRA216 HRC216	Upper blade kit only. For mowers that already contain a mulching plug.	06725-VA3-S00	Blade spacer Upper mulch blade 10 x 25 mm bolts (2) 10 mm s.washer (2)	72532-VA3-S00 72531-VA3-S00 90105-VA3-J01 90481-430-000
HR214 HR215 HR216 HR215K1	For twin-blade mulching use original blade and new upper blade. Install blade spacer, new bolts, washers and mulching plug.	06762-VA3-S00	Upper blade Mulching plug Blade spacer 10 x 25 bolts (2) 10 mm s.washer (2)	72531-VA3-S00 Not available 72532-VA3-S00 90105-VA3-J01 90481-430-000
HRA214 HRA215 HRA216 HRC215PXA HRC215SXA HRC216SXA HRC216HXA	For twin-blade mulching use original blade and new upper blade. Install blade spacer, new bolts, washers and mulching plug.	06762-VB5-D00	Upper blade Mulching plug Blade spacer 10 x 25 bolts (2) 10 mm s.washer (2)	72531-VA3-S00 Not available 72532-VA3-S00 90105-VA3-J01 90481-430-000
HRB215	Complete low-lift mulching kit includes two new blades. Replace single high-lift blade with two new blades, install mulching plug.	06764-VE2-810	Upper blade Lower blade Mulching plug	72531-VE2-020 72511-VG4-K00 76266-VE2-000ZA
HRC215K1SDA HRC215K1PDA	Complete kit for single blade mulching. Replace original blade with new low-lift mulching blade, install mulching plug.	06762-VB5-A00	Mulching blade Mulching plug	72511-VA4-641 76266-VB5-D00

LAWN MOWERS

Miscellaneous Kits & Parts



06725-VK6-000

HRC216K2, HRC216K3 Single Blade Spacer Kit

For single blade operation, install this spacer in place of the upper blade.

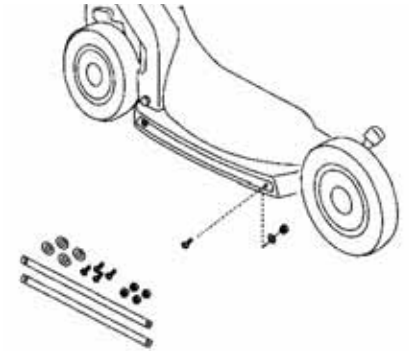


21" deck, red logo	08P59-VE2-000AH ^{FM}
21" deck, black logo *	08P59-VE2-010AH ^{FM}

Silver Lawn Mower Cover

Protect your walk behind (21" deck) lawn mower with a custom fitted waterproof, breathable polyester cover.

*Not for sale in states with deca-BDE regulations.



HR215K0, HR215K1 (2 guards included)	06761-VA3-690
HRB215, HRB216, HRB217, HRM215 (2 guards included)	06761-VE2-000
HRX217 (2 guards included)	06761-VH7-000AH ^{FM}

Deck Guard Kits

Honda mower decks are built tough, but you can add these all-steel guards to protect the sides of the deck from wear. These guards are standard equipment on walk-behind commercial mowers.



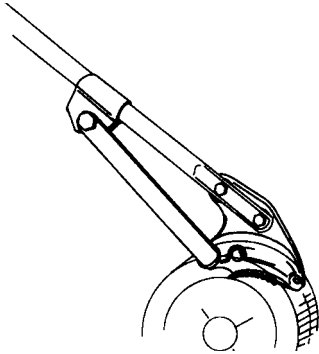
HRC216K2, HRC216K3	06814-VK6-000 ^{FM}
HRR216K0~K7, HRT216, HRZ216	06814-VG4-010 ^{FM}

Side Discharge Chute

Convert a rear-bag lawn mower to side-discharge. This is a simple, 90-degree elbow that slips onto the rear of the unit and is held in place by the rear guard. The chute is made of tough polyethylene.

LAWN MOWERS

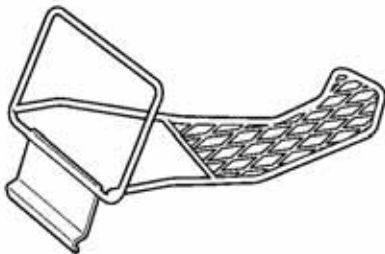
Miscellaneous Kits & Parts



HR214, HR215, HR216	06531-VA3-010
------------------------	---------------

Handle Support

For severe conditions, install this kit for added support. These supports are standard on walk-behind commercial mowers.



HR214, HR215, HR216	81560-VA3-S00
HRB215, HRB216, HRB217, HRM215*	81510-VE2-000
HRR216*, HRT216, HRZ216	81560-VG4-000

* HRM215 and HRR216K0 must have optional grass bag installed.

Leaf Shredder

Use this special shredder to chop up leaves. It helps to better pack the grass bag, so it won't have to be emptied as often.



06554-VH7-305

Adjustable Smart Drive® Kit

This optional kit is for use with HRR216K3VXA, HRR216K4VXA, and HRX217K1VKA lawn mowers only. The parts in this kit are standard equipment on later models. Move the Smart Drive® control up or down into the most comfortable position for the operator. The multi-position adjuster can be moved to five different positions.



HR194, HR195	06180-ZE6-820
HR21, HR21K1, HR21K2, HRA21	06180-888-505
HR214, HR215, HR216, HRA214, HRA215, HRA216, HRB215, HRC215, HRC216, HRM195, HRM215	06180-ZE6-820
HRB216, HRB217, HRR216, HRS216, HRT216, HRZ216, HRX217	
Arrester, spark	18350-ZL8-000
Plate	18356-ZL8-000
Screw, tapping (4 x 6 mm)	90056-ZE1-000

Spark Arrester Kits

To help reduce fire hazards, install this kit. A spark arrester is mandatory on any unit operated in a U.S. National Forest.